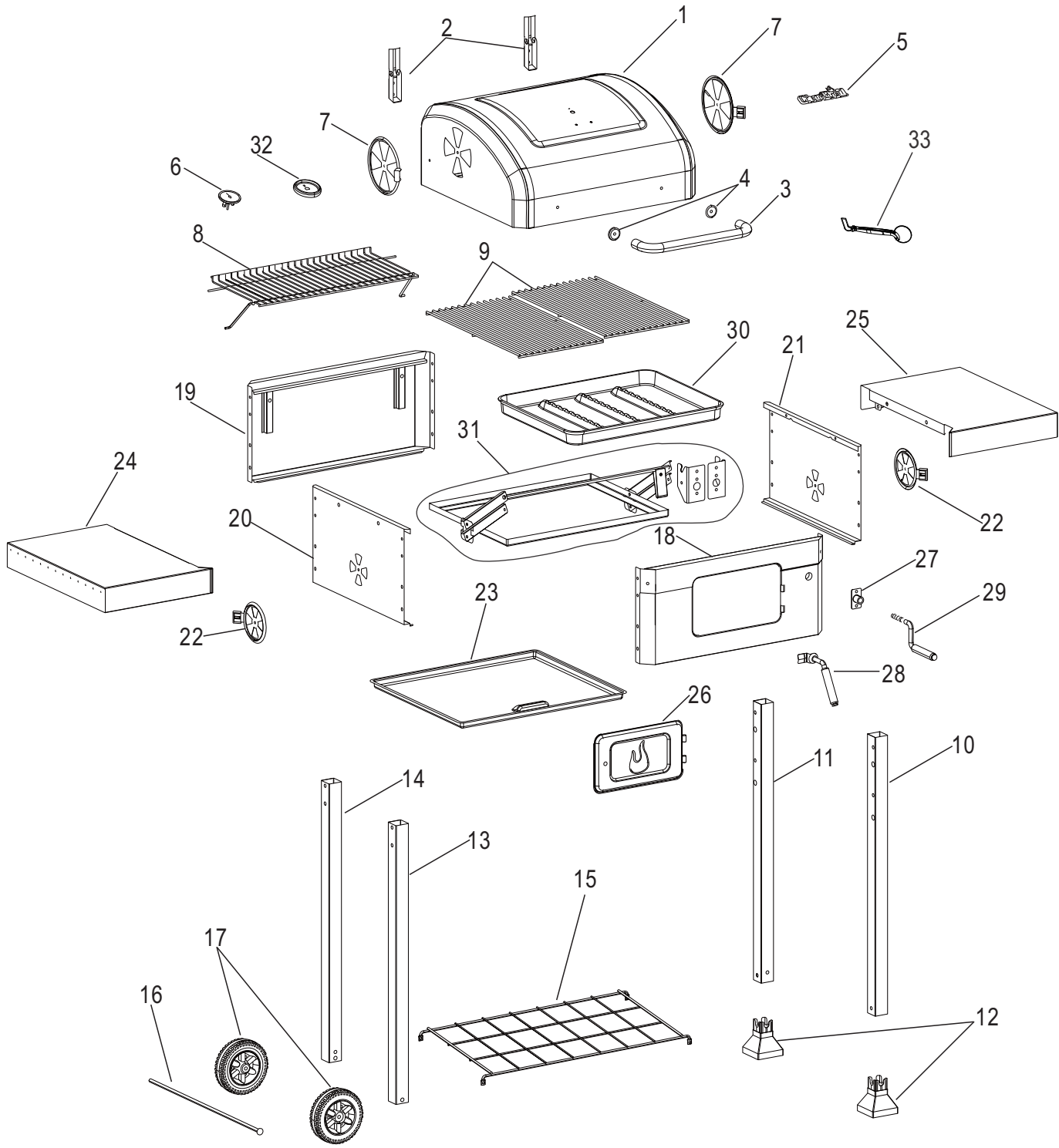


# PARTS DIAGRAM



## PARTS LIST

Key	Qty	Description
1	1	LID ASSEMBLY
2	2	HINGE KIT, F/ LID
3	1	LID HANDLE
4	2	HANDLE SEAT
5	1	LOGO PLATE
6	1	TEMPERATURE GAUGE
7	2	DAMPER, F/ TOP LID
8	1	SWING-AWAY GRATE
9	2	COOKING GRATE
10	1	RIGHT LEG, FRONT
11	1	RIGHT LEG, REAR
12	2	LEG EXTENDER
13	1	LEFT LEG, FRONT
14	1	LEFT LEG, REAR
15	1	BOTTOM SHELF
16	1	AXLE
17	2	WHEEL
18	1	FIREBOX FRONT PANEL
19	1	FIREBOX REAR PANEL
20	1	FIREBOX SIDE PANEL, LEFT
21	1	FIREBOX SIDE PANEL, RIGHT
22	2	DAMPER, F/ FIREBOX
23	1	ASH PAN
24	1	SIDE SHELF, LEFT
25	1	SIDE SHELF, RIGHT
26	1	CLEAN OUT DOOR
27	1	CRANKSHAFT BUSHING
28	1	HANDLE, F/ CLEAN OUT DOOR
29	1	CRANKSHAFT
30	1	CHARCOAL PAN
31	1	ADJUST ASSEMBLY, F/ CHARCOAL PAN
32	1	BEZEL, F/ TEMPERATURE GAUGE
33	1	GRATE LIFTER

### NOT Pictured

...	1	HARDWARE PACK
...	1	ASSEMBLY MANUAL