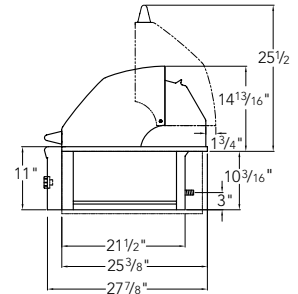
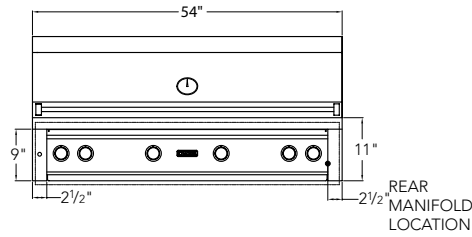


54" PROFESSIONAL GRILL



Built-In



54" PROFESSIONAL BUILT-IN GRILL

Model No. EVQGI5540(N/L)SS

Three cast brass burners + one ProSear2 burner (total 98,000 BTUs)

1555 sq. in. cooking surface (1110 primary, 445 secondary)

Hot surface ignition system

Heat stabilizing design

Control illumination w/ blue LEDs

Dual halogen grill surface lights

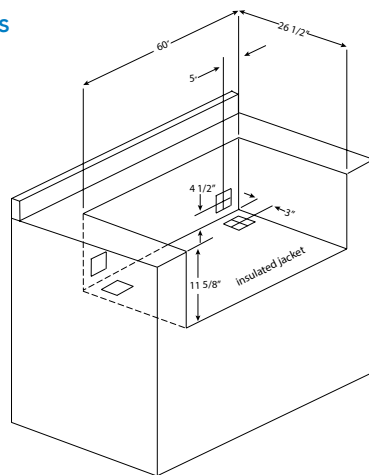
Temperature gauge

Removable large-capacity smoker box

Stainless steel grilling grates

Dual-position internally powered rotisserie w/ heavy-duty 3-speed motor & two rear infrared burners

54" Cutout Dimensions



4" square holes for gas and electrical connections both left and right sides (rear or bottom access). Make these holes in the frame based on your requirements. 230V GFI outlet must be located within 6' of the 4" hole.

If using a countertop with overhang a 9/16" notch is required.

COOKING SURFACE

- 1,555 sq. in. cooking surface (1110 primary / 445 secondary)

SHIPPING WEIGHTS & DIMENSIONS

- Built-In Grill: 421 lbs. / 63 1/4" x 34" x 34"
- Free Standing Grill: 627 lbs. / 63 1/4" x 34" x 54 1/2"

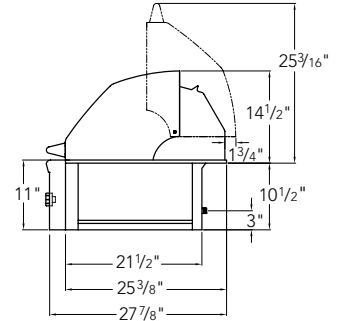
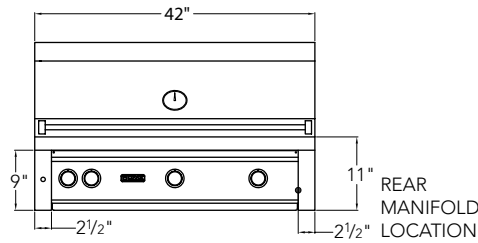
MODEL	DESCRIPTION
EVQGI5540N/LSS	54" Built-In Grill - 1 ProSear2 IR Burner w/ Rotisserie
CQ554BI	54" Vinyl Cover (Built-In)
LJ54	Insulated Jacket for 54" Built-In-Grill

NOTE: Must specify gas type—N for Natural Gas or L for Propane. Natural Conversion Kit is delivered separately. EPRONGK

42" PROFESSIONAL GRILL



Built-In



42" PROFESSIONAL BUILT-IN GRILL

Model No. EVQGI5420(L)SS

- Two cast brass burners and one ProSear 2™ Burner (total 73,000 BTUs)

1200 sq. in. cooking surface (855 primary, 345 secondary)

Hot surface ignition system

Heat stabilizing design

Control illumination w/ blue LEDs

Dual halogen grill surface lights

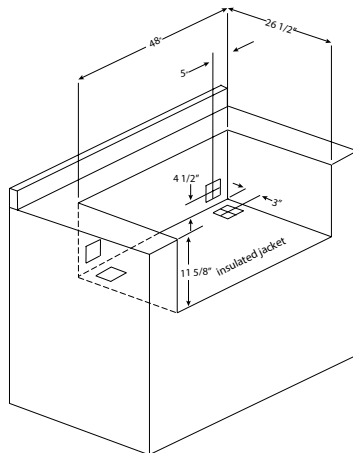
Temperature gauge

Removable large-capacity smoker box

Stainless steel grilling grates

Dual-position internally powered rotisserie w/ heavy-duty 3-speed motor & rear infrared burner

42" Cutout Dimensions



4" square holes for gas and electrical connections both left and right sides(rear or bottom access). Make these holes in the frame based on your requirements. 230V GFI outlet must be located within 6' of the 4" hole.

If using a countertop with overhang a 9/16" notch is required.

COOKING SURFACE

- 1200 sq. in. cooking surface (855 primary / 345 secondary)

SHIPPING WEIGHTS & DIMENSIONS

- Built-in Grill: 346 lbs. / 51 1/2" x 34" x 34"
- Freestanding Grill: 524 lbs. / 51 1/2" x 34" x 54 1/2"

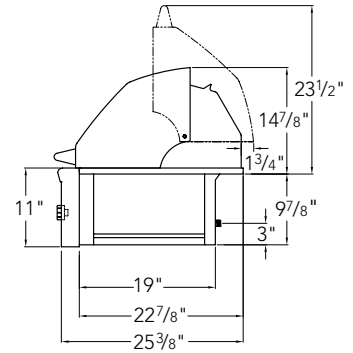
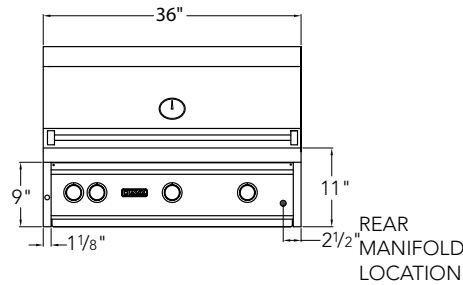
MODEL	DESCRIPTION
EVQGI5420LSS	42" Built-In Grill - 1 ProSear2 IR Burner w/ Rotisserie
CQ542BI	42" Vinyl Cover (Built-In)
LIJ42	Insulated Jacket for 42" Built-In-Grill

NOTE: only for Propane

36" PROFESSIONAL GRILL



Built-In



36" PROFESSIONAL BUILT-IN GRILL

Model No. EVQGI5360(N/L)SS

- Two cast brass burners and one ProSear 2™ Burner (73,000 BTUs)

935 sq. in. cooking surface (640 primary, 295 secondary)

Hot surface ignition system

Heat stabilizing design

Control illumination w/ blue LEDs

Dual halogen grill surface lights

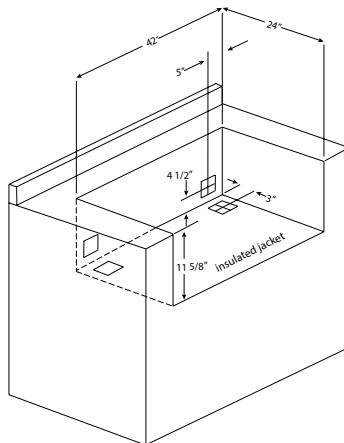
Temperature gauge

Removable large-capacity smoker box

Stainless steel grilling grates

Dual-position internally powered rotisserie w/ heavy-duty 3-speed motor & rear infrared burner

36" Cutout Dimensions



4" square holes for gas and electrical connections both left and right sides (rear or bottom access). Make these holes in the frame based on your requirements. 230V GFI outlet must be located within 6' of the 4" hole.

If using a countertop with overhang a 9/16" notch is required.

COOKING SURFACE

- 935 sq. in. cooking surface (640 primary / 295 secondary)

SHIPPING WEIGHTS & DIMENSIONS

- Built-In Grill: 291 lbs. / 46" x 31 1/2" x 33 3/4"
- Freestanding Grill: 414 lbs. / 46" x 31 1/2" x 54 1/2"

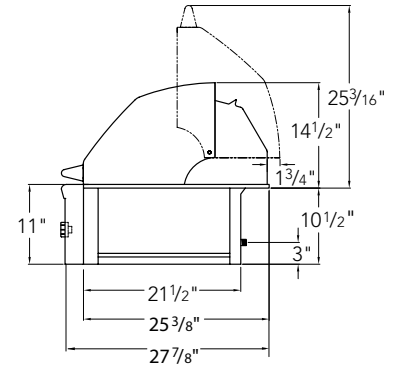
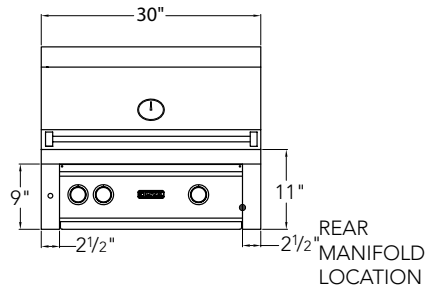
MODEL	DESCRIPTION
EVQGI5360N/LSS	36" Built-In Grill - 1 ProSear2 IR Burner w/ Rotisserie
CQ536BI	36" Vinyl Cover (Built-In)
LIJ36	Insulated Jacket for 36" Built-In-Grill

NOTE: Must specify gas type—N for Natural Gas or L for Propane. Natural Conversion Kit is delivered separately. EPRONGK

30" PROFESSIONAL GRILL



Built-In



30" PROFESSIONAL BUILT-IN GRILL

Model No. EVQGI5300(N/L)SS

- One cast brass burner and one ProSear 2™ Burner (48,000 BTUs)

840 sq. in. cooking surface (600 primary, 240 secondary)

Hot surface ignition system

Heat stabilizing design

Control illumination w/ blue LEDs

Halogen grill surface light

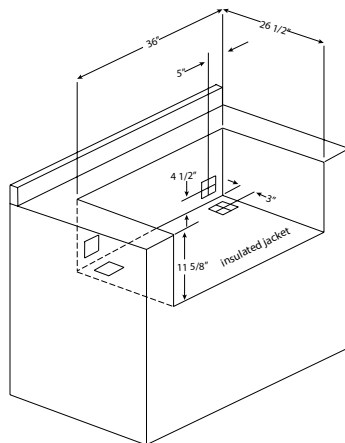
Temperature gauge

Removable large-capacity smoker box

Stainless steel grilling grates

Dual-position internally powered rotisserie w/ heavy-duty 3-speed motor & rear infrared burner

30" Cutout Dimensions



4" square holes for gas and electrical connections both left and right sides (rear or bottom access). Make these holes in the frame based on your requirements. 230V GFI outlet must be located within 6' of the 4" hole.

If using a countertop with overhang a 9/16" notch is required.

COOKING SURFACE

- 840 sq. in. cooking surface (600 primary / 240 secondary)

SHIPPING WEIGHTS & DIMENSIONS

- Built-in Grill: 241 lbs. / 38 1/2" x 34 1/4" x 37"
- Freestanding Grill: 362 lbs. / 38 1/2" x 34 1/4" x 58 1/2"

MODEL	DESCRIPTION
EVQGI5300-2	30" Built-In Grill - 1 ProSear2 IR Burner w/ Rotisserie
CQ530BI	30" Vinyl Cover (Built-In)
LIJ30	Insulated Jacket for 30" Built-In-Grill

NOTE: Must specify gas type—N for Natural Gas or L for Propane. Natural Conversion Kit is delivered separately. EPRONGK

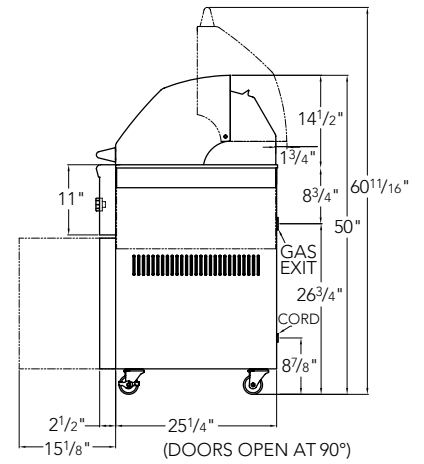
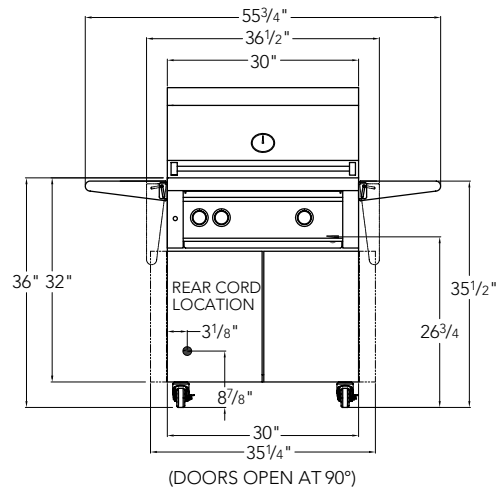
PROFESSIONAL GRILLS: FREESTANDING

30" PROFESSIONAL FREESTANDING GRILL

Model No. EVQGF55360(N/L)SS



Freestanding



NOTE: Must specify gas type—N for Natural Gas or L for Propane.
Natural Conversion Kit is delivered separately. EPRONGK